

PATHFINDER™ LUMEN

LED LINE PROJECTOR



**USER
GUIDE**



DuraLabel

PATHFINDER®

FLOOR MARKING & WAYFINDING

800-788-5572 | GraphicProducts.com

SAFETY INFORMATION

General

- Please unpack and carefully check for damage caused during transportation.
- Light fixtures should be installed and maintained only by qualified personnel with lighting equipment and general electrical experience.
- When suspending the fixture above ground level, verify that the structure can hold at least ten times the installed devices' weight.
- Verify that all external covers and rigging hardware are securely fastened and use an approved means of secondary attachment such as a safety cable.
- Place your fixture at a suitable place with good airflow.
- Keep flammable materials away from the fixture.
- Use only genuine spare parts for part replacement.
- Do not look directly into the lamp; it can result in eye damage.
- Always disconnect the fixture from power before handling.
- Use only a power source that complies with local building and electrical codes and has both overload and ground-fault protection.
- Do not use the fixture if the power cable or power plug is in any way damaged or defective, or if they show signs of overheating.



Graphic Products®, DuraLabel®, PathFinder®, Toro®, Toro Max®, Bronco®, Bronco Max®, Lobo® and Kodiak® are Registered Trademarks of Graphic Products, Inc. © 2023 Graphic Products, Inc.

™

INTRODUCTION

Thank you for choosing an LUMEN Line LED Projector. LUMEN Line projectors are designed to project a highly visible virtual line in industrial environments, thus eliminating the need for painted or taped lines.

Please read this manual before installing and operating the fixture, follow the safety precautions listed below, and observe all warnings.

Package Contents

- LUMEN Line Projector: Projector with external LED driver and power cord



LINE LENGTH AND PROJECTION LENSES

The projected line length depends on the projection distance and the lens angle.

- The larger the projection distance, the longer the line.
- The wider the lens angle, the longer the line.
- The shorter the line, the brighter it will project.

The projectors come with a pre-installed projection lens. Lenses can be interchanged to optimize the line length and brightness in relation to the projector mounting height. Different lenses are available upon a custom request basis.

LENS CONFIGURATION

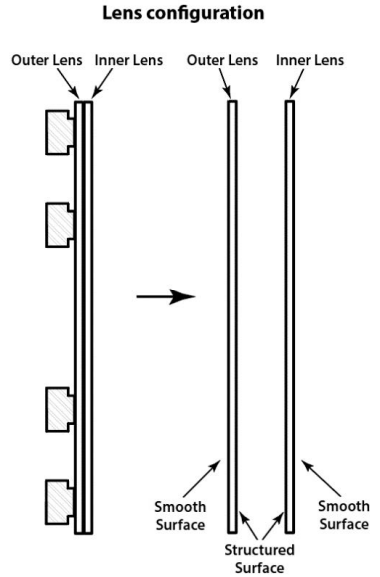
DO NOT TOUCH THE LENS SURFACE. If it needs to be cleaned, use compressed air, or wipe it with a soft cloth. Do not use cleaning chemicals.

The projection lens system consists of two parts, an inner lens (mounted closest to the enclosure) and an outer lens, sitting on top of the inner lens. The lenses should not be handled in normal operation, only for:

- Mounting the Line Limiters
- Exchanging the lens

It is important to keep the lens mounting positions exactly as they came installed. The lenses have a smooth surface on one side and a structured surface on the other.

- The structured surfaces face each other.
- The smooth surfaces face outward.

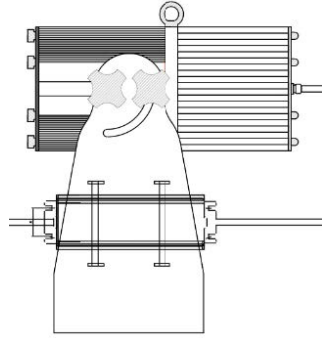


MOUNTING AND SETUP

The projectors come equipped with yokes for mounting and alignment.

Ideally, the fixtures should be mounted perpendicular and centered above the projected line. Since this is rarely the case, the fixture is equipped with a yoke and pivot to position the projected line.

LUMEN Line has an external driver. It can be attached to the mounting structure or to the yoke, through the designated slots with zip ties.



Pivot

The yoke allows for alignment in two dimensions. To cover all possible angles, the projector comes with a pivot. It is especially handy if the projected line needs to be adjusted sideways.



Short Distance Focusing

The focus is pre-set, and no adjustment is required. If the lines become too wide or blurry at distances under 15 ft, add one focusing gasket between the lens assembly and the housing. If it's missing from the accessories, contact your reseller for a gasket.

Line Colors

The projectors come pre-configured with a color LED array. The colors cannot be changed without replacing the LED array. Standard colors: Yellow, Green, Red, Blue.

LINE LIMITER OPTION

In certain circumstances, it may be necessary to shorten the projected line on one or both sides to achieve the desired line length.

Therefore, the projectors can be equipped with optional line length limiters. These are “flaps”, that can be mounted on one or both sides of the projector. The line length is adjusted by bending the limiters in or out. Line Limiters also help to achieve a more refined line end.

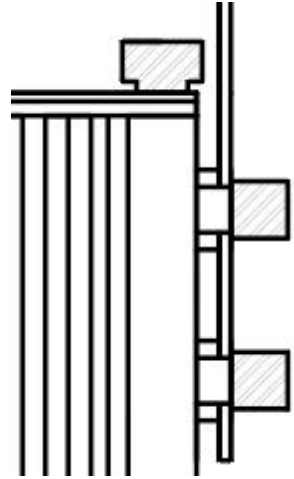


Note: The minimum achievable line length is ~30% of the max. line length. For example, a 30 ft line can be limited to ~10 ft. These values may vary.

Mounting the line limiter(s):

For handling the lenses, please refer to the chapter “Lens Configuration” on page 2.

- Remove the front thumbscrews that hold the lenses
- Remove the lenses, keep them together precisely as they were mounted.
- Place two slot nuts into the channel.
- Replace the lenses and thumbscrews.
- Place the plastic washers onto the slot screws.
- Screw the line limiter into the slot nuts.



MAINTENANCE AND CLEANING

In general, the projectors are maintenance-free. In dusty environments, they can be dusted off with compressed air.

Do not try to clean the lens with any chemicals or paper towels as they can scratch it. Instead, use compressed air from a spray can. If you need to wipe the lens, use a soft microfiber cloth.

SPECIFICATIONS

Line width:	3" to 6"
Input Voltage Range:	1100-240V/277VAC, 50/60Hz
LED Bulb Life:	40,000 hours
Environmental Class:	IP65
Operating Temperature:	-13F to 122F (-25C to 50C)
Housing:	Aluminum anodized
Weight:	11 lbs

WARRANTY

One Year from Date of Purchase. Keep your receipt for reference and contact your reseller in case of warranty issues.

For further technical information, please refer to the LUMEN Line Spec Sheets.

Copyright Information

No part of this manual, including the products and software described in it, may be reproduced, transmitted, transcribed, stored in a retrieval system, or translated into any language in any form or by any means, except documentation kept by the purchaser for backup purposes, without the express written permission of Graphic Products, Inc.

Products and corporate names appearing in this manual may or may not be registered trademarks or copyrights of their respective companies, and are used only for identification or explanation and to the owners' benefit, without intent to infringe.

Specifications and information contained in this manual are furnished for informational use only, and are subject to change at any time without notice, and should not be construed as a commitment by Graphic Products. Graphic Products assumes no responsibility or liability for any errors or inaccuracies that may appear in this manual.

PATHFINDER™

LUMEN

LED LINE PROJECTOR



800-788-5572

GraphicProducts.com



DuraLabel

PATHFINDER®

FLOOR MARKING & WAYFINDING