

Wire Marking Made Easy...

**WITH WIRE WRAPS &**

**THE DURALABEL PRO!**



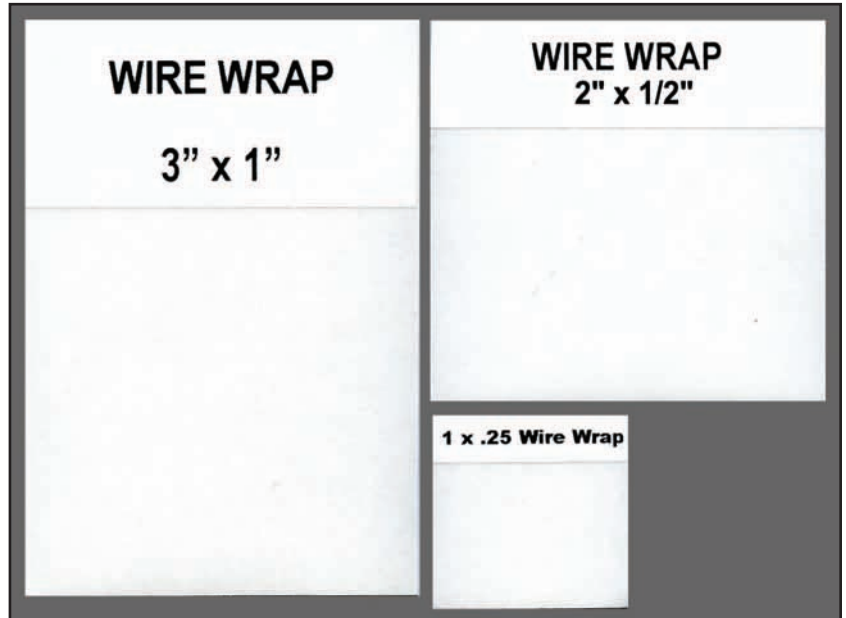
## WIRE WRAPS



Wire wrap supply for the DuraLabel PRO is inexpensive and easy to use. The durable, adhesive-backed supply, along with the automatic cutter, makes the DuraLabel PRO PERFECT for printing wire wraps in multiple sizes.

Our Wire Wrap supply is self-laminating. Print on the white area and wrap the "tail" around for protection.

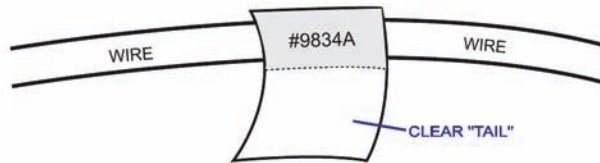
*(See instructions below)*



Above: Actual Wire Wrap Sizes.

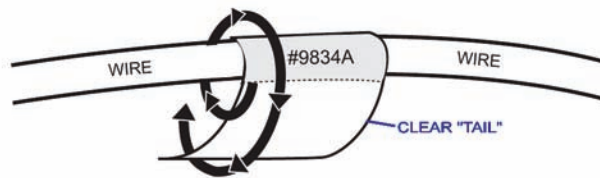
1

**Easy-To-Use:** Apply the wire wrap label to the wire or cable to be marked.



2

**Self-Laminating:** Wrap the clear "tail" around the wire or cable so that it covers (and protects) the label.

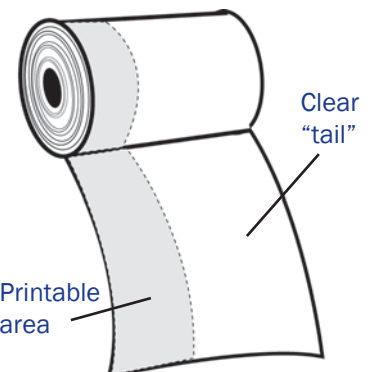


3

**Finished!** The wire or cable is marked in just a few seconds.



Wire Wraps for the DuraLabel PRO come on a continuous roll. This allows the wire wraps to be cut exactly to the size you need, allowing for greater flexibility and less waste than you would experience with die cut wraps.



Keep your wires and cables organized by marking them with wire wraps. You'll never have to wonder what cable connects to which device again! Different widths of wire wraps are available upon request, as are different widths of striping.



**Click... Print... Solve... 1-800-788-5572**

1-800-788-5572 | International: +1 503-644-5572 | info@GraphicProducts.com | www.DuraLabel.com | www.GraphicProducts.com

Your DuraLabel PRO is even more flexible than you think...

# TRY SHRINK TUBE FOR MARKING CABLES!

## SHRINK TUBE



Shrink Tube is another easy way to mark and identify your wires and cable. Print your identifying information on the shrink tube, slip the shrink tube over the cable or wires you wish to identify, then use a heat gun to shrink the tube.

### Shrink Tube Sizes

Shrink tube sizes are based on the diameter of the open tube before shrinking. When laying flat for printing, the shrink tube will be approximately 1.5 times as wide as it's open diameter.

#### How to Order Shrink Tube

If you have:	Use:
8 Conductor Flat Silver Satin	1/4"
Duplex Fiber Cord (Zipcord)	3/8"
RG59 Coaxial Cable	1/2"
Category 5 4-Pair Twisted Pair	1/2"
AWG 16-22G	1/8"
AWG 12-18G	3/16"
AWG 10-16G	1/4"
AWG 4-14G	3/8"
AWG 1-12G	1/2"

**Note:** Some wire sizes can use more than one shrink tube.

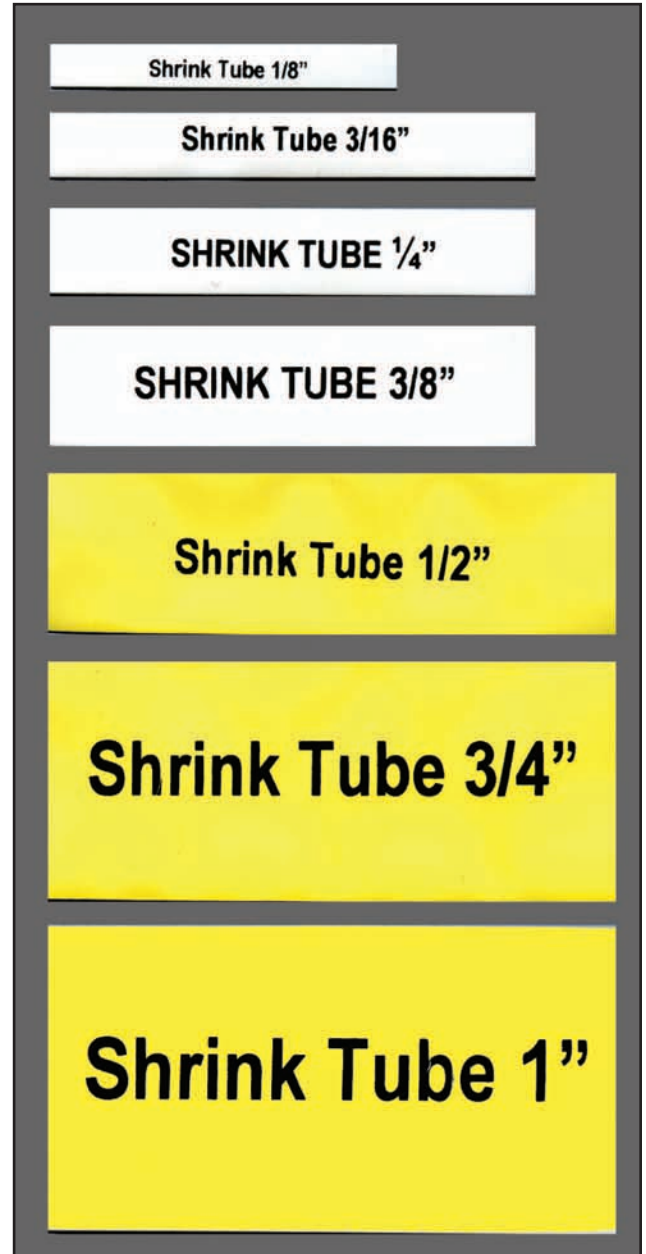
### Batch Printing

For both Wire Wraps and Shrink Tube, you can easily batch print by merging an Excel spreadsheet into a Word document. This allows you to print numerous wire wraps or shrink tubes with little effort - and in a matter of minutes!

Have questions about wire wraps or shrink tube for your DuraLabel PRO?

Give us a call! We love to help our customers . . . **1-800-788-5572!**

## STANDARD SIZES



**Above:** Actual Shrink Tube Sizes.  
All Sizes are available in white, yellow and black.



Intl: +1 503-644-5572 | info@GraphicProducts.com  
www.GraphicProducts.com | www.DuraLabel.com  
© 2007, 2008, 2010 Graphic Products, Inc.